

4

3

2

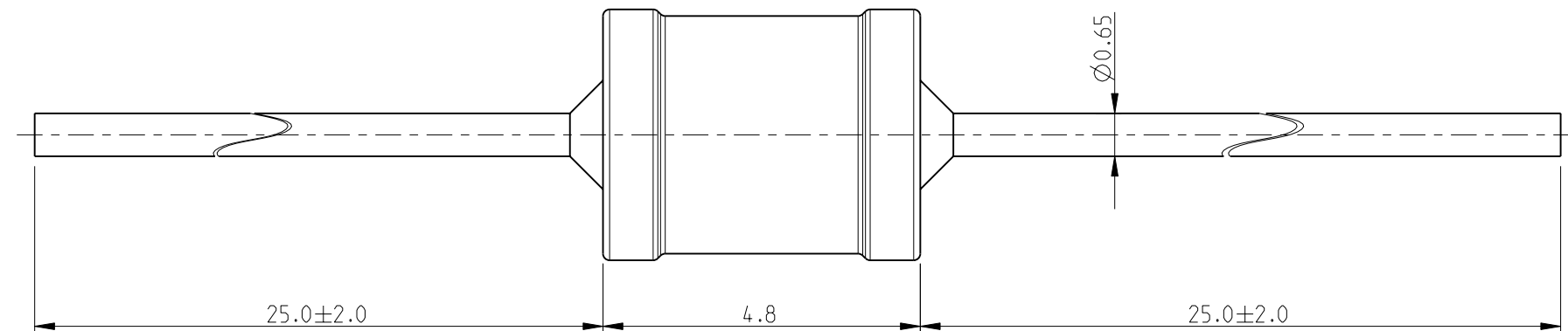
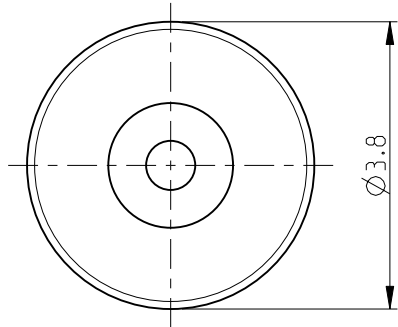
1

THIS DRAWING IS UNPUBLISHED. RELEASED FOR PUBLICATION 2008
 © COPYRIGHT 2008 BY - ALL RIGHTS RESERVED.

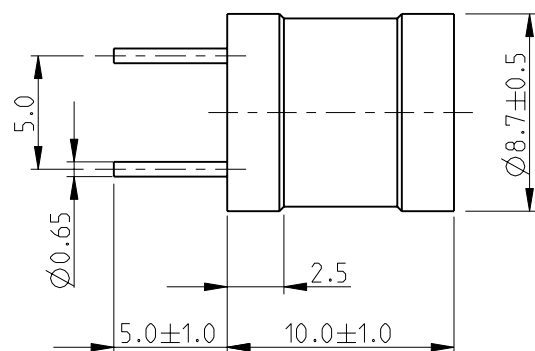
LOC	DIST	REVISIONS				
P	LTR	DESCRIPTION	DATE	DWN	APVD	
E	B	BB	ECR-12-012596	12JUL2012	KR	TN

SC0405

FOR FURTHER INFORMATION SEE DATA SHEET FOR SERIES SC, AXIAL LEADED INDUCTORS

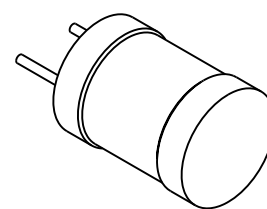


SC0912



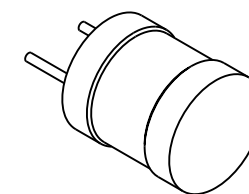
RoHS Compliant

SC0914



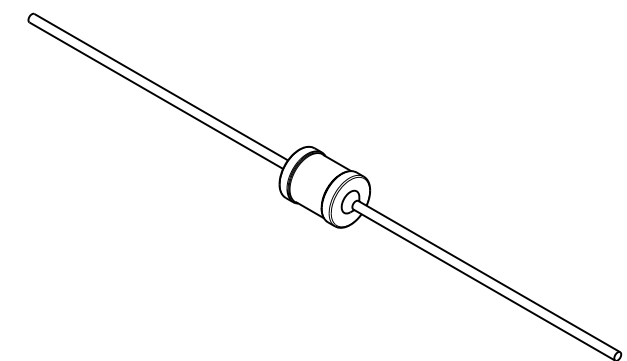
SCALE 2:1

SC0912



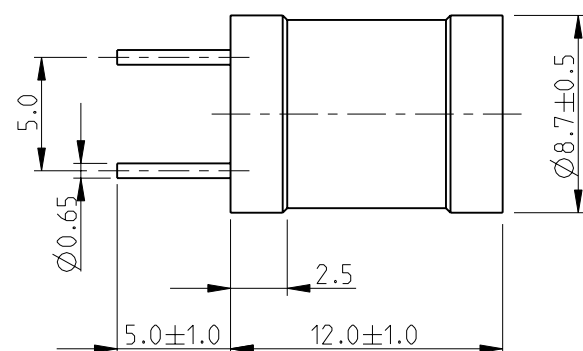
SCALE 2:1

SC0405



SCALE 2:1

SC0914



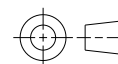
THIS DRAWING IS A CONTROLLED DOCUMENT.

DWN	SUBHASH.M	11-DEC-08
CHK	PRAKASH.S	11-DEC-08
APVD	STEPHEN.P	11-DEC-08

STE TE Connectivity

DIMENSIONS:
mm

TOLERANCES UNLESS OTHERWISE SPECIFIED:



0 PLC	± 0.2
1 PLC	± 0.1
2 PLC	± -
3 PLC	± -
4 PLC	± -
ANGLES	± 5°

MATERIAL -

FINISH -

PRODUCT SPEC -

APPLICATION SPEC -

WEIGHT -

NAME LEADED INDUCTORS SERIES - SC

SIZE	CAGE CODE	DRAWING NO	RESTRICTED TO
A3	00779	1624055	-

CUSTOMER DRAWING SCALE 10:1 SHEET 1 OF 1 REV BB